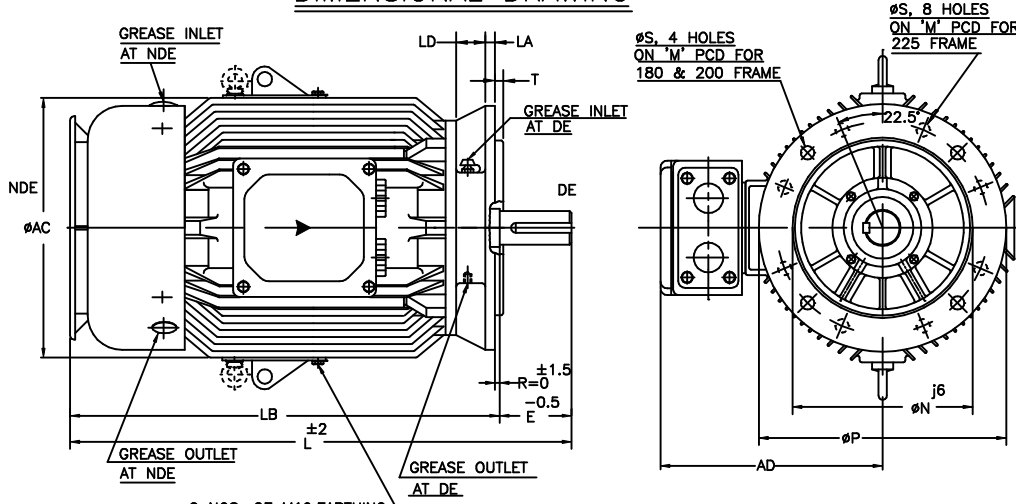


UNMENTIONED TOLERANCES

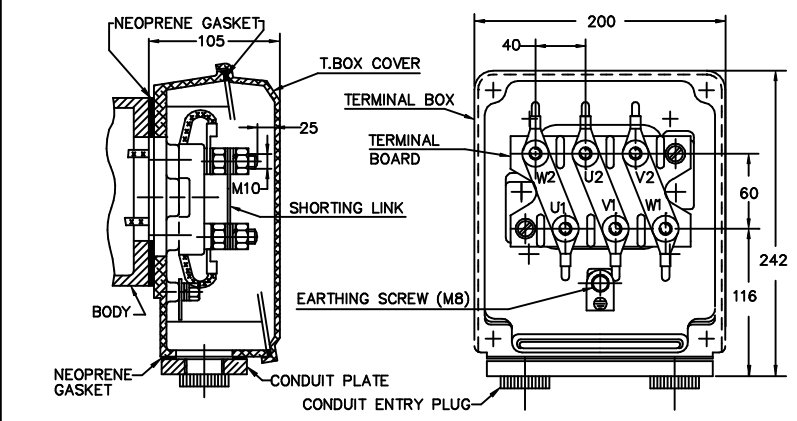
LINEAR DIMENSIONS (SUPTO (MACHINED) TOL.	ABOVE 0	6	315	1000
ANGLES	± 1/2°			

ALL INFORMATION CONTAINED IN THIS DOCUMENT IS CONFIDENTIAL AND THE PROPERTY OF KIRLOSKAR ELECTRIC CO.LTD. REPRODUCING OF THESE IN ANY FORM IS TO BE DONE WITH THE SPECIFIC PERMISSION OF THE COMPANY.

**DIMENSIONAL DRAWING**



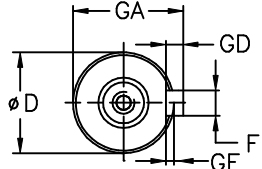
**TERMINAL BOX ARRANGEMENT**



NOTE: MAX. CABLE SIZE : MAIN-2x3Cx70sqmm, SHORTING LINKS ARE PROVIDED ONLY FOR DOL START.

**NOTES:**

- DIMENSIONS ARE AS PER IS:2223,IS:1231
- DEGREE OF PROTECTION, IP:55.
- TOLERANCE ON 'D' : k6 UPTO & INCLUDING  $\phi 48$  : m6 INCLUDING & ABOVE  $\phi 55$
- PROTECTED CENTRE HOLE AT SHAFT EXTENSION AS PER IS:2540 "M16 X 32" FOR 'D'-  $\phi 48$  "M20 X 40" FOR 'D'-  $\phi 55$  &  $\phi 60$
- THE POSITION AND TYPE OF LIFTING HOOKS AS SHOWN IN DOTTED FOR FRAMES 180 & 200.
- TERMINAL BOX CAN BE ROTATABLE THROUGH 360° IN STEPS OF 90°.
- KEY & KEYWAY ARE AS PER IS:2048 & TOLERANCE ON KEYWAY IS P9.
- REFER KHD-33-11 FOR UNMENTIONED TOLERANCE ON DIMENSIONS.



**SHAFT EXTENSION DETAILS**

SL.No.	FRAME	POLES	$\phi AC$	AD	$\phi D$	E	F	GA	GD	GE	L	LA	LB	LD	M	$\phi N$	$\phi P$	R	$\phi S$	T
1	VSC 180L	2,4,6 & 8	380	300	48	110	14	51.5	9	5.5	745	13.5	635	42	300	250	350	0	19	5
2	VSC 200L	2,4,6 & 8	430	325	55	110	16	59	10	6	800	15	690	45	350	300	400	0	19	5
3	VSC 225M	2	486	355	55	110	16	59	10	6	855	16	745	59	400	350	450	0	19	5
4	VSC 225M	4,6 & 8	486	355	60	140	18	64	11	7	885	16	745	59	400	350	450	0	19	5

ITEM/TAG No.			
RATING			
CABLE SIZE			
O/A NO.:		CUSTOMER :	
PROJECT :		CONSULTANT :	

Z122027100KX

SURFACE ROUGHNESS (MAX) AS PER KSD-02-027

Ro	um	50	12.5	25	1.6	3.2	6.3	12.5	0.2	0.4	0.8	1.6	0.025	0.05	0.1
OLD	NEW	✓	✓	✓	✓	✓	✓	✓	✓	✓	✓	✓	✓	✓	✓

REV.	ZONE	DCN.No.	7	6	5
1		0882209	REDRAWN IN A NEW FORMAT	sd/-	18.03.09
BRIEF RECORD			SIGNATURE	DATE	PRINTS ISSUED TO
			QA	MKTG	PRDN

THIS SUPERSEDES ..... FROM dt ..... AS PER DCN No.....  
 THIS SUPERSEDED BY ..... FROM dt ..... AS PER DCN No.....

MATERIAL SPECIFICATION	RAW MATERIAL SIZE	WEIGHT kg	SCALE		
-	-	RM FIN.	N.T.S		
CASTING/FAB REF.		No.P.S.:	N.T.S		
USED ON		DRAWN	CHECKED	STANDARD	APPROVED
VSC180 TO 225 ALUMINIUM T.BOX ASSLY.(STD)		VSI	VHN	SPC	VHN
TITLE:		dt. 05/03/08		dt. 05/03/08	dt. 05/03/08
DIMENSION SHEET		32202703R1		SHEET ONE OF ONE	

KIRLOSKAR ELECTRIC COMPANY LTD. HUBLI-580030 (INDIA)

FORM No. 02 201 02B (ISSUE 7)